

INSTALLATION INSTRUCTIONS AND OWNER'S MANUAL

Thank you for purchasing an ACCESS ADARAC truck and bed rack system. ACI has manufactured this rack with pride using superior quality materials and craftsmanship. With proper care, your rack will provide years of service and enjoyment.

NOTICE TO INSTALLER: It is recommended you take the time to read these instructions before installing this rack even if already familiar with the product. Often improvements are made without prior notice. Always handle rack and components with care to avoid damage. If you find a part missing or defective, or if you are having trouble installing this product, please have serial number ready (found on decal on the driver's side rack rail) and call the customer service number on the back page. **When done, these instructions and warranty information must be given to the consumer.**

NOTICE TO CONSUMER: Before using this product, read the operating instructions, maintenance and safety sections of this owners manual and save for future reference.

FOR YOUR RECORDS:

DATE PURCHASED _____

WHERE PURCHASED _____

SERIAL NUMBER _____

(Located on decal on driver side rail near tailgate)

WARRANTY REGISTRATION

Promptly confirm your warranty by registering online at

www.accesscover.com



Problems? Questions? Missing or Damaged Parts? Installation Questions?

Visit Us Online First! www.agricover.com/index.php/faq

WARNING

The ADARAC Truck Bed Rack supports cargo overhead while allowing full use of the ACCESS Roll-Up Cover. The ADARAC system has a maximum load capacity of 250 lbs. per cross bar distributed evenly. DO NOT EXCEED this capacity. Always secure cargo properly. Failure to secure cargo, or hauling inappropriate cargo may result in personal injury, or death. AGRI-COVER, INC. is not responsible for any property damage, personal injury or death incurred while using any AGRI-COVER, INC product.

CAUTION

This product is only intended for, and only safe for transporting ladders, lumber, pipe and other similar materials. It is the responsibility of the user to secure these materials to the rack before transporting. Never load your rack to exceed the safe capacity of your vehicle. Heavy loads when carried high can dangerously alter the center of gravity of your vehicle. Consult your vehicle's owner's manual for specifications on load ratings and recommendations of installation of aftermarket racks. Any modifications made to this product, or use of this product for any other purpose than its intended use could create a hazardous condition that can cause serious personal injury or property damage.

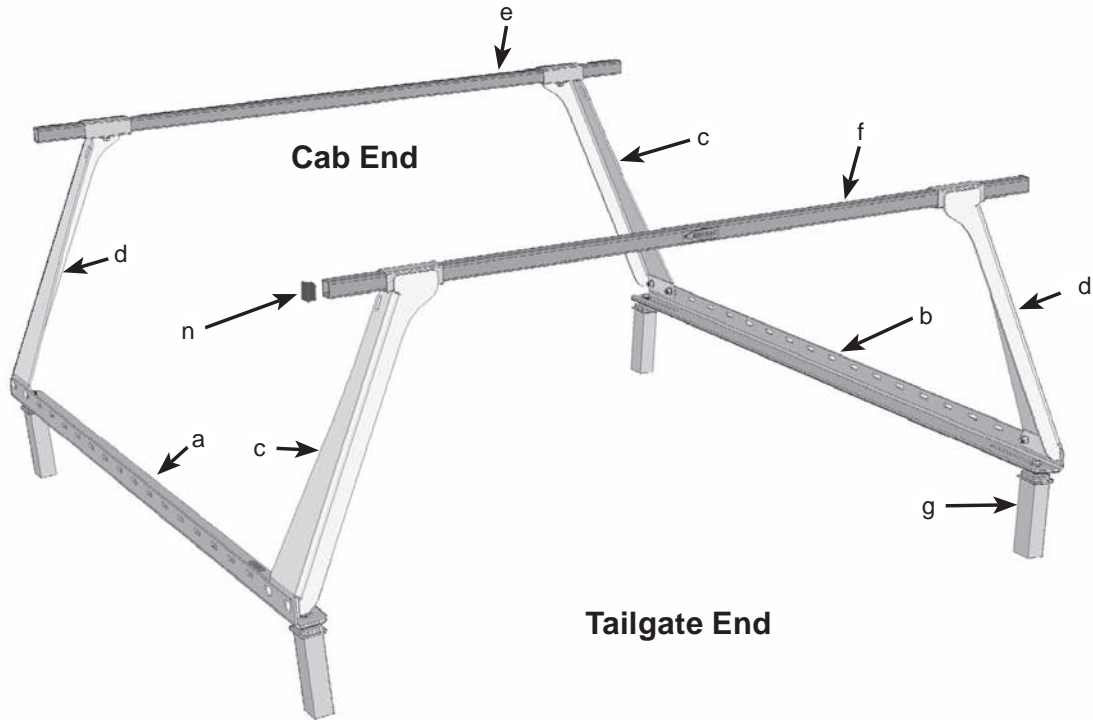
- NOTICE -

Any modification or unintended use of this product shall immediately void all manufacturers warranties. Manufacturer disclaims all liability for injuries to persons or property resulting from any modification to, or unintended use of this product.

Some vehicle manufacturers require a reinforcing kit, available through the vehicle dealership, to be installed on the truck bed prior to mounting any kind of rack. Contact your dealership to see if your vehicle requires a reinforcing kit before installation.

NOTE: Installation and use of any bed rail mounted accessory may cause minor aesthetic damage to exterior of vehicle. Agri-Cover, Inc. makes no claims or warranties whatsoever as to a particular vehicles ability to support rail mounted accessories without incurring damage. Load capacity of 250lbs. per cross bar applies to ADARAC Truck Bed Rack system only. See your vehicle manufacturer's specifications for bed rail mounted accessories.

PARTS DIAGRAM

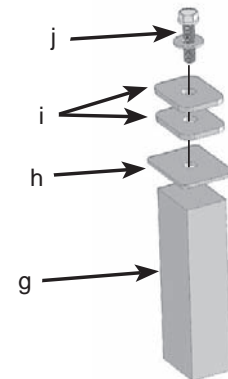
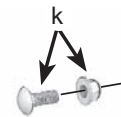
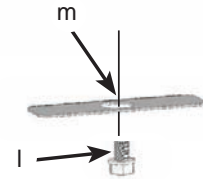


Legend:

a – Denotes part description

Parts List:

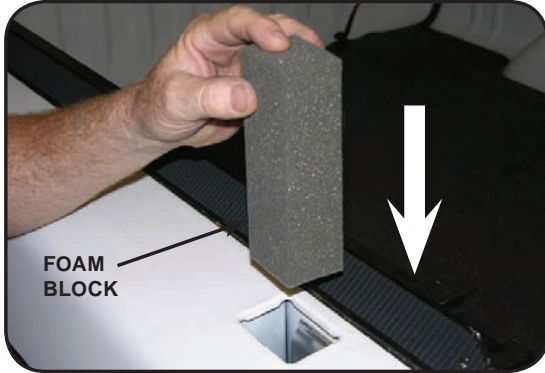
- a) driver side rack rail (with serial number decal)
- b) passenger side rack rail
- c) left upright
- d) right upright
- e) front cross bar
- f) rear cross bar (with reflective logo)
- g) foam clamp support block
- h) clamp plate
- i) alignment plates
- j) $\frac{3}{8}$ " x $1\frac{1}{2}$ " Hex HD bolt with flat washer
- k) $\frac{3}{8}$ " x 1" carriage bolts with serrated flange nuts
- l) $\frac{3}{8}$ " x $1\frac{1}{2}$ " hex head serrated flange bolts
- m) leveling shims
- n) end plugs



1

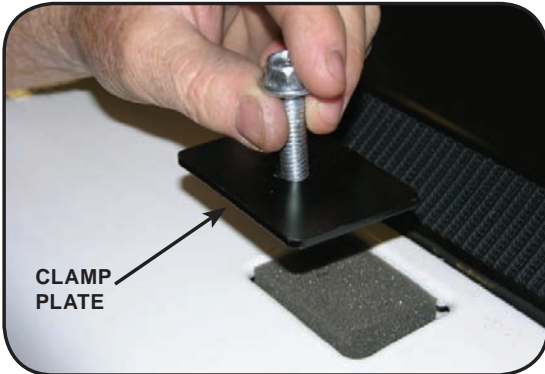
INSTALLING STAKE POCKET HARDWARE

Tools: Protective Eyewear, 9/16" Wrench, Tape Measure, and Small Hammer



NOTE: Stake pockets must be open to install this product. Remove any accessories or snap-in stake covers if present.

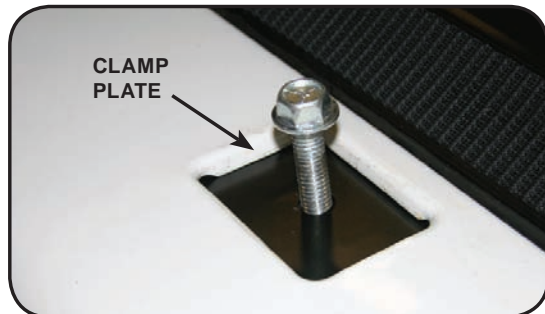
A. Lower foam block clamp support into open stake pocket.



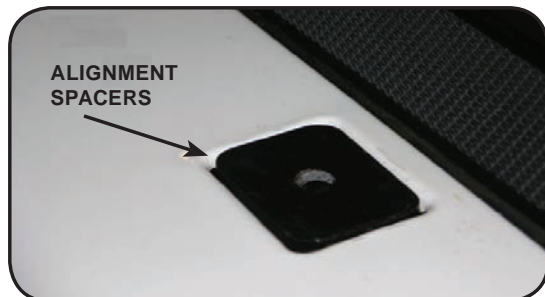
B. Orientate stake pocket clamp plate with smooth side up and thread a bolt ($\frac{3}{8}$ " x $1\frac{1}{2}$ ") on several turns as shown.



C. Push foam block down and maneuver corner of clamp into stake pocket by pushing down on foam and wiggling clamp until all 4 sides are inside of stake pocket.



D. Adjust assembly until bolt is centered in stake pocket and clamp is fully supported by foam block. Carefully turn bolt out, allowing foam to support clamp for remaining steps.

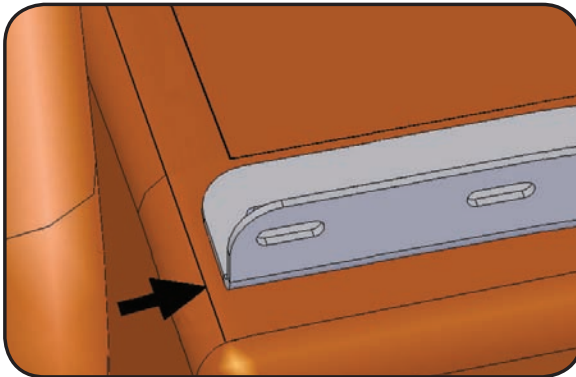


E. Gently place alignment spacer(s) directly on top of clamp. Holes should line up for bolting later. **IMPORTANT:** Alignment spacers must be used. When in place, spacer(s) should be flush with or just slightly lower than top of box rail. Some stake pockets may be deformed, if so, it may be necessary to grind material off of spacer until it fits in stake pocket opening. Repeat all of step one for remaining stake pockets.

2 MOUNTING RACK RAIL TO BOX



A. Carefully place rack rail (with warning decal) on top of box driver side. Adjust its slotted holes in line with holes on clamping hardware inside stake pockets.



B. Align front of rail close to front edge of box-do not allow rail to go beyond front edge of box.



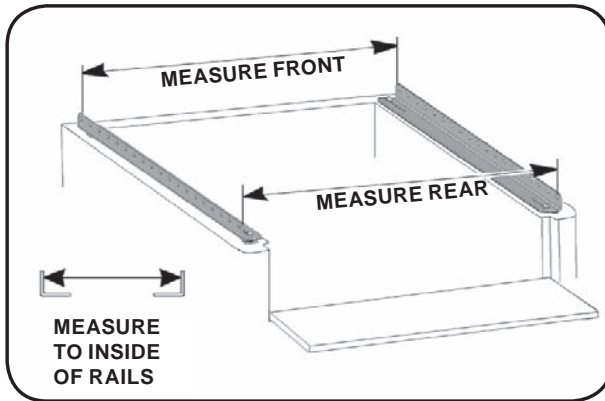
C. Place flat washer over slotted hole and turn a hex head bolt ($\frac{3}{8}$ " x $1\frac{1}{2}$ ") on until finger tight. Ensure that alignment plate is aligned with stake pocket. Turn bolts in finger tight at remaining stake pockets.



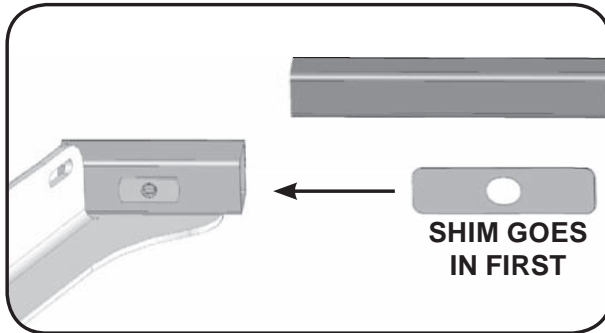
D. Slowly close tailgate to make sure it will not rub against rack rail when closed. (Adjust rack rail forward if needed). Now fully tighten all rack clamp bolts. Repeat steps 1 and 2 for rack rail on opposite side of box.

3 ASSEMBLING CROSS BAR TO UPRIGHTS

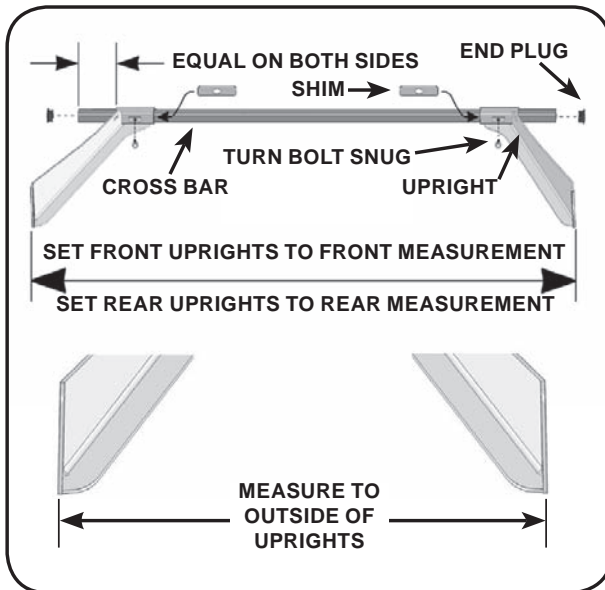
NOTE: Some truck boxes are wider at front than at rear by tailgate. Always measure both locations and when different, assemble rack uprights accordingly. Instructions show rack assemblies installed next to cab and next to tailgate. These locations can be changed as desired.



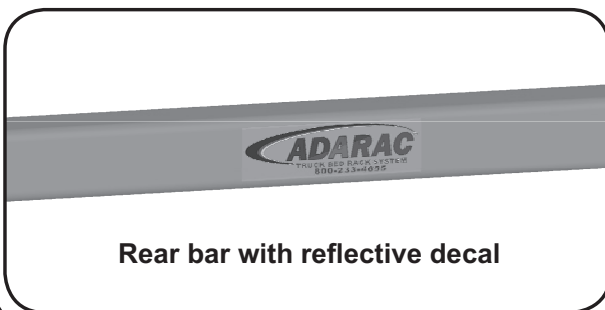
A. Measure distance between inside rails at selected front location. Measure distance between inside rails at selected rear location. See Diagram. Record both of these measurements for step C.



B. Lay uprights and cross bar on floor as shown. Slide shim inside tube of each upright until both holes line up.

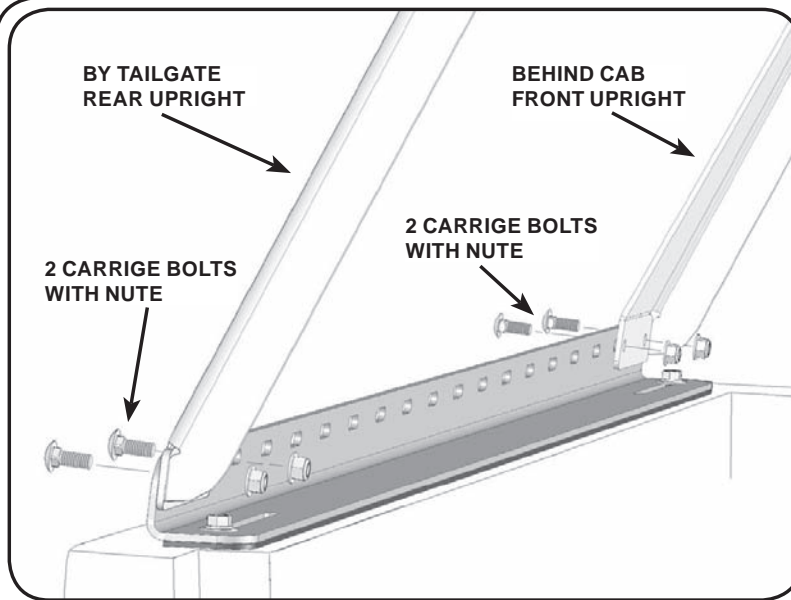


C. Slide front cross bar (the bar without reflective decal) in uprights. Space bottom of uprights to match front measurement taken earlier between rails. Center cross bar. Turn set bolt in temporarily snug enough to prevent cross bar slippage. Tap end plug into each end of cross bar.

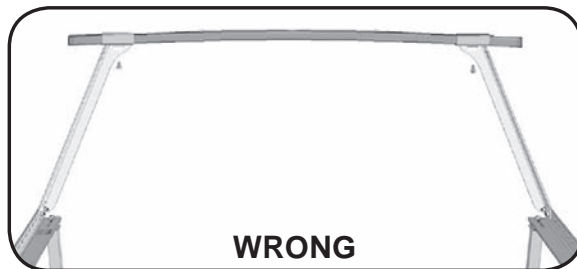


D. Repeat procedure for rear uprights and REAR CROSS bar (bar with reflective decal). **NOTE: Position bar with reflective decal in uprights so that it faces out to rear of truck when system is mounted to truck bed.**

4 MOUNTING UPRIGHTS TO RACK RAIL

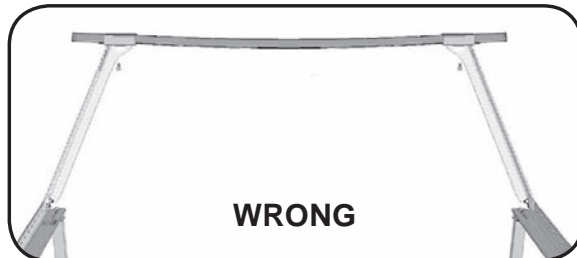


A. Set assembled front cross bar/uprights up in between front rails. Align both uprights as shown and bolt with 2 carriage bolts and serrated flange nuts. **NOTE: Uprights should fit nicely in between rails. If they don't, make needed adjustments before bolting tight, then turn nuts fully tight now. Repeat procedure for rear up right assembly.**



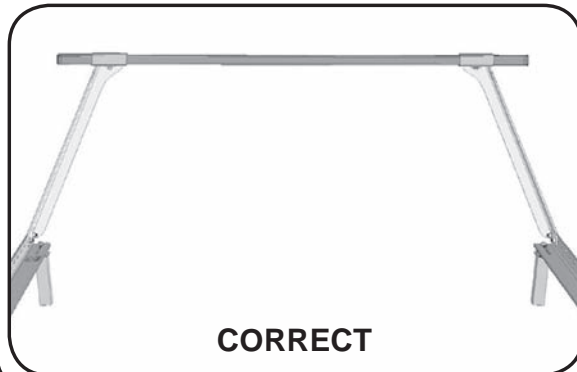
WRONG

B. **WRONG.** Cross bar centered but with binding between uprights forcing bar to bow up



WRONG

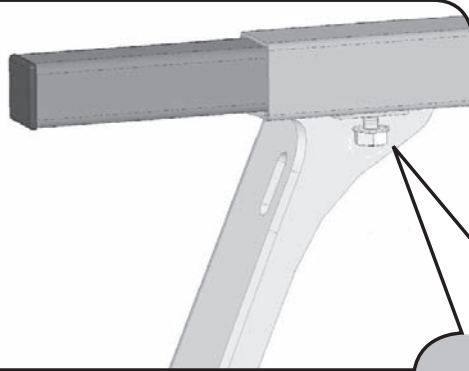
C. **WRONG.** Cross bar centered but with binding between uprights forcing bar to bow down.



CORRECT

D. **CORRECT.** Cross bar centered without binding between uprights- bar is level and ready for next step.

5 TIGHTEN CROSS BAR BOLTS



A. Finish tightening all cross bar hex head bolts by turning bolt completely in until serrations on flange are seated tight. Doing this means the bolt will push up on the wall of the cross bar hidden inside upright tube.

**PERIODICALLY CHECK
ALL BOLTS AND
TIGHTEN IF NEEDED**

**TIGHTEN BOLT UNTIL
FLANGE IS SEATED TIGHT**

MANUFACTURER'S LIMITED WARRANTY

Agri-Cover, Inc. extends the following limited warranty to the original retail purchaser of any ADARAC™ Truck Bed Rack System:

Agri-Cover, Inc. warrants to the original purchaser, for a period of one (1) year from the date of purchase of the rack, that its ADARAC™ Truck Bed Rack System is free from defects in material and workmanship, as long as the original purchaser owns the truck on which the rack was originally installed and as long as the rack remains continuously installed on said truck.

Agri-Cover, Inc.'s sole obligation under this limited warranty is limited to the repair or replacement, at its option, of defective parts only. No labor or service allowance is given or implied. **IN NO EVENT SHALL AGRI-COVER, INC. BE LIABLE FOR INCIDENTAL, CONSEQUENTIAL, OR SPECIAL DAMAGES. AGRI-COVER, INC. EXPRESSLY DISCLAIMS ANY AND ALL IMPLIED WARRANTIES OF MERCHANTABILITY, AND THERE ARE NO WARRANTIES WHICH EXTEND BEYOND THE LIMITED WARRANTY DESCRIPTION CONTAINED HEREIN.**

For warranty performance, call our Customer Service Department at 701-251-1427 to determine if only a replacement part is needed or if the rack needs to be returned for inspection and repair. **Warranty registration must be on file and/or proof of original purchase (detailed and dated receipt) required for warranty to be effective. Goods to be returned must have a pre-authorized RA # (Returned Authorization Number) - obtained by calling the number above.** Mark the number on the package and ship it freight prepaid to address below. Agri-Cover, Inc. will pay freight to return goods to sender.

This limited warranty does not cover any damage due to accident, abuse, misuse, alteration, neglect, improper installation, or ordinary wear and tear.

This limited warranty gives you specific legal rights and you may have other rights, which vary, from state to state.



Agri-Cover, Inc.
Customer Service Dept
3000 Hwy 281 SE
PO Box 508
Jamestown, ND 58402
Phone: 701-251-1427

ACCESS - A Division of Agri-Cover, Inc.
PHONE 701-251-1427 7:30 am - 5:30 pm Central Standard Time
Monday thru Friday except Holidays