

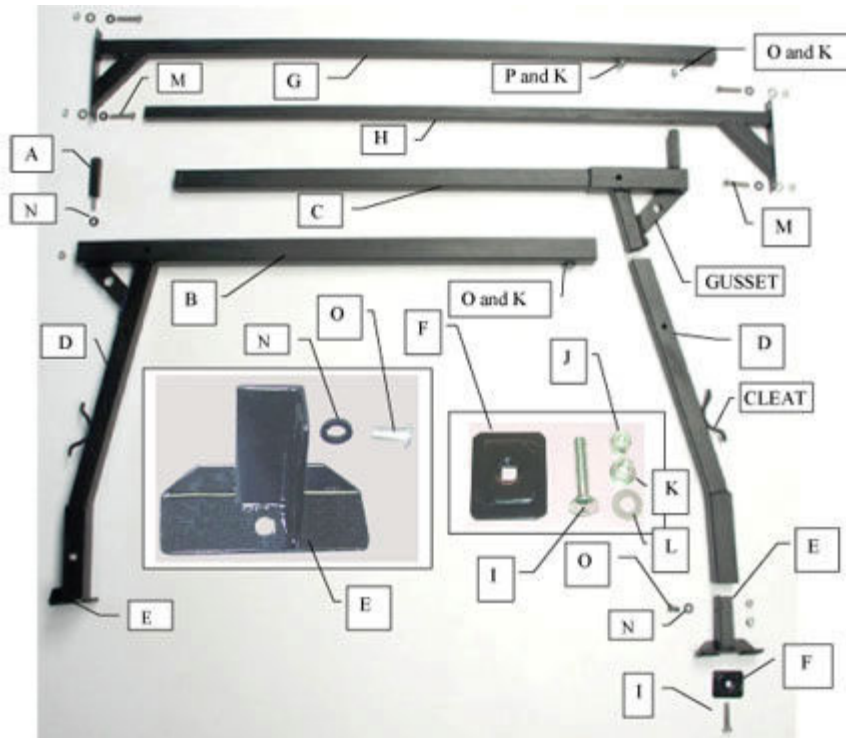
U.S. Rack, Inc. Stake Pocket Rack Parts

[Visit the Stake Pocket Rack page](#)

Stake Pocket Rack, regular height, short bed; tonneau rack for pickup truck

To place an order for parts, please call 1.888.877.2257

Reference	Part Number	Description	Price/ea
A	P2005-3X-A	Spindle Tube for STAKE POCKET RACK MODEL 2005-3RS (x4)	\$8.00
B	P2005-3X-B	Female Crossbar for STAKE POCKET RACK MODEL 2005-3RS (x2)	\$50.00
C	P2005-3X-C	Male Crossbar for STAKE POCKET RACK MODEL 2005-3RS (x2)	\$50.00
D	P2005-3R-D	Leg for STAKE POCKET RACK MODEL 2005-3RS (x4)	\$30.00
E	P2005-3X-E	Base for STAKE POCKET RACK MODEL 2005-3RS (x4)	\$15.00
F	P2005-3X-F(MAKE MODEL)	Pocket Insert Plate for STAKE POCKET RACK MODEL 2005-3RS (x4)	\$10.00
G	P2005-3S-G	Female Side Bar for STAKE POCKET RACK MODEL 2005-3RS (x2)	\$30.00
H	P2005-3S-H	Male Side Bar for STAKE POCKET RACK MODEL 2005-3RS (x2)	\$25.00
-	(available locally)	3/8-16 x 1.75" carriage bolt (x4)	-
-	(available locally)	3/8-16 Nylon Lock-nut (x 16)	-
-	(available locally)	3/8-16 Hex Flange Nut (x 10)	-
-	(available locally)	3/8 inch 7/8" OD SS Metal Washer (x 12)	-
-	(available locally)	2-1/2 inch Button-head Cap-screw (x 8)	-
-	(available locally)	3/8 inch Nylon Washer (x 20)	-
-	(available locally)	3/8-16 x 1-inch Button-head Cap-screw (x10)	-
-	(available locally)	3/8-16 x 1.75" Button Head Cap Screw (x 4)	-
-	(available locally)	Allen wrench for 3/8-16 Hex Cap Screw	-



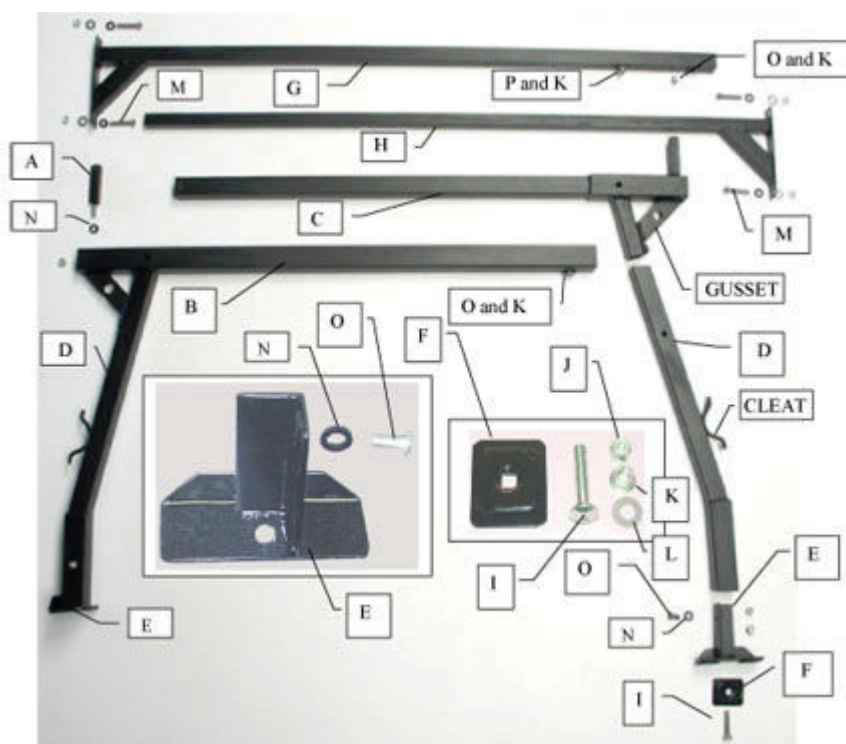
[Visit the Stake Pocket Rack page](#)

Stake Pocket Rack, regular height, Long bed; tonneau rack for pickup truck

To place an order for parts, please call 1.888.877.2257

Reference	Part Number	Description	Price/ea
A	P2005-3X-A	Spindle Tube for STAKE POCKET RACK MODEL 2005-3RL (x4)	\$8.00
B	P2005-3X-B	Female Crossbar for STAKE POCKET RACK MODEL 2005-3RL (x2)	\$50.00
C	P2005-3X-C	Male Crossbar for STAKE POCKET RACK MODEL 2005-3RL (x2)	\$50.00
D	P2005-3R-D	Leg for STAKE POCKET RACK MODEL 2005-3RL (x4)	\$40.00
E	P2005-3X-E	Base for STAKE POCKET RACK MODEL 2005-3RL (x4)	\$15.00
F	P2005-3X-F(MAKE MODEL)	Pocket Insert Plate for STAKE POCKET RACK MODEL 2005-3RL (x4)	\$10.00
G	P2005-3L-G	Female Side Bar for STAKE POCKET RACK MODEL 2005-3RS (x2)	\$30.00
H	P2005-3L-H	Male Side Bar for STAKE POCKET RACK MODEL 2005-3TS (x2)	\$25.00
-	(available locally)	3/8-16 x 1.75" carriage bolt (x4)	-

-	(available locally)	3/8-16 Nylon Lock-nut (x 16)	-
-	(available locally)	3/8-16 Hex Flange Nut (x 10)	-
-	(available locally)	3/8 x 7/8" OD SS Metal Washer (x 12)	-
-	(available locally)	2.5 inch Button-head Cap-screw (x 8)	-
-	(available locally)	3/8 inch Nylon Washer (x 20)	-
-	(available locally)	3/8-16 x 1-inch Button-head Cap-screw (x10)	-
-	(available locally)	3/8-16 x 1.75" Button Head Cap Screw (x 4)	-
-	(available locally)	Allen wrench for 3/8-16 Hex Cap Screw	-



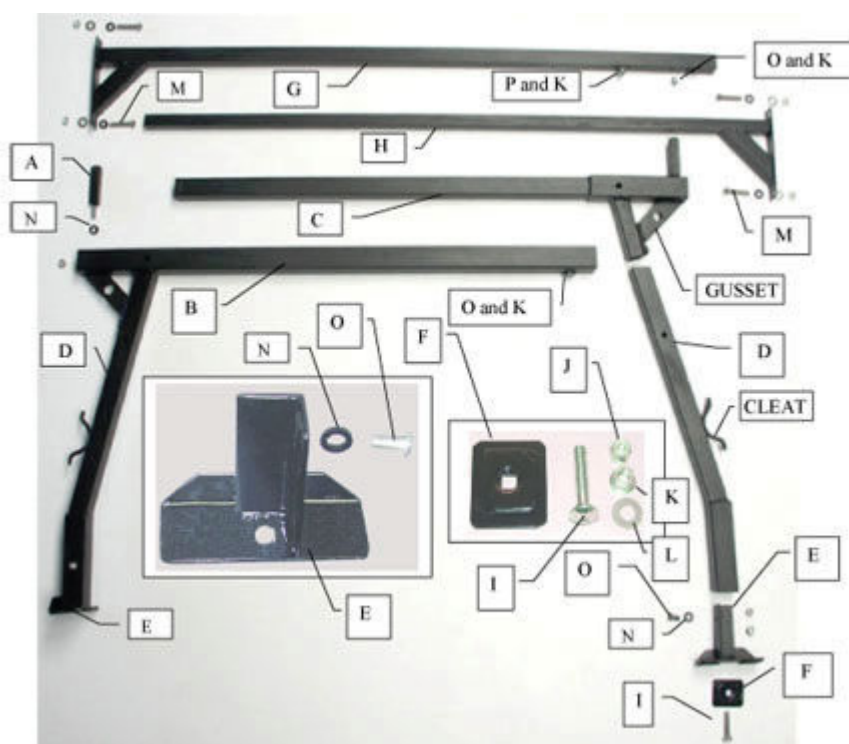
[Visit the Stake Pocket Rack page](#)

Stake Pocket Rack, Extra- Tall, short bed; tonneau ladder rack for pickup truck

To place an order for parts, please call 1.888.877.2257

Reference	Part Number	Description	Price/ea
A	P2005-3X-A	Spindle Tube for STAKE POCKET RACK MODEL 2005-3TS (x4)	\$8.00
B	P2005-3X-B	Female Crossbar for STAKE POCKET RACK MODEL 2005-3TS (x2)	\$50.00

C	P2005-3X-C	Male Crossbar for STAKE POCKET RACK MODEL 2005-3TS (x2)	\$50.00
D	P2005-3L-D	Leg for STAKE POCKET RACK MODEL 2005-3RS (x4)	\$30.00
E	P2005-3X-E	Base for STAKE POCKET RACK MODEL 2005-3TS (x4)	\$15.00
F	P2005-3X-F(MAKE MODEL)	Pocket Insert Plate for STAKE POCKET RACK MODEL 2005-3TS (x4)	\$10.00
G	P2005-3S-G	Female Side Bar for STAKE POCKET RACK MODEL 2005-3TS (x2)	\$30.00
H	P2005-3S-H	Male Side Bar for STAKE POCKET RACK MODEL 2005-3TS (x2)	\$25.00
-	(available locally)	3/8-16 x 1.75" carriage bolt (x4)	-
-	(available locally)	3/8-16 Nylon Lock-nut (x 16)	-
-	(available locally)	3/8-16 Hex Flange Nut (x 10)	-
-	(available locally)	3/8 inch 7/8" OD SS Metal Washer (x 12)	-
-	(available locally)	2-1/2 inch Button-head Cap-screw (x 8)	-
-	(available locally)	3/8 inch Nylon Washer (x 20)	-
-	(available locally)	3/8-16 x 1-inch Button-head Cap-screw (x10)	-
-	(available locally)	3/8-16 x 1.75" Button Head Cap Screw (x 4)	-
-	(available locally)	Allen wrench for 3/8-16 Hex Cap Screw	-

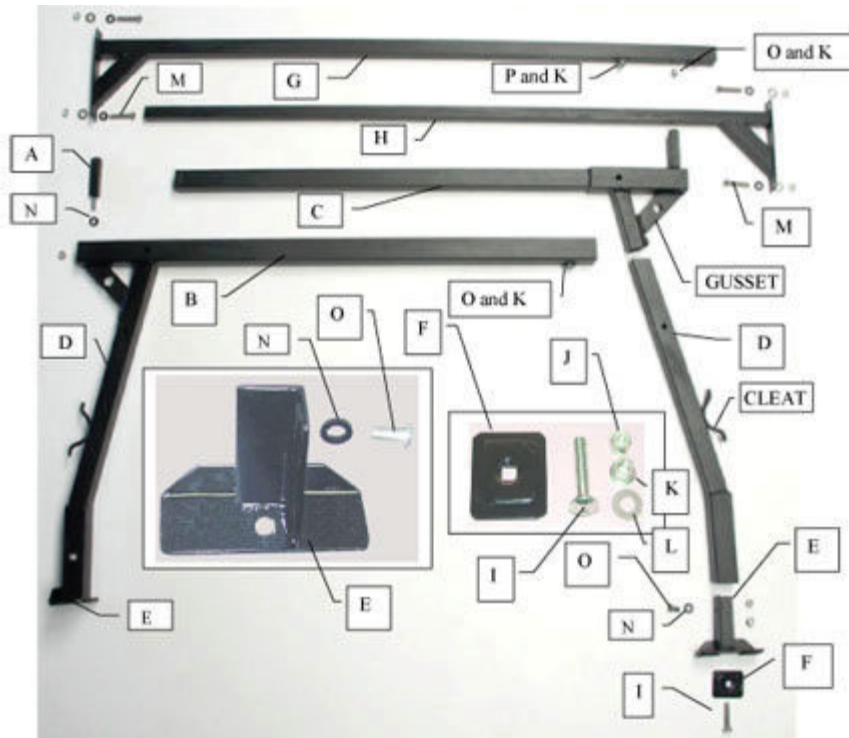


[Visit the Stake Pocket Rack page](#)

Stake Pocket Rack, Extra- Tall, Long bed; tonneau ladder rack for pickup truck

To place an order for parts, please call 1.888.877.2257

Reference	Part Number	Description	Price/ea
A	P2005-3X-A	Spindle Tube for STAKE POCKET RACK MODEL 2005-3TL (x4)	\$8.00
B	P2005-3X-B	Female Crossbar for STAKE POCKET RACK MODEL 2005-3TL (x2)	\$50.00
C	P2005-3X-C	Male Crossbar for STAKE POCKET RACK MODEL 2005-3TL (x2)	\$50.00
D	P2005-3T-D	Leg for STAKE POCKET RACK MODEL 2005-3TL (x4)	\$40.00
E	P2005-3X-E	Base for STAKE POCKET RACK MODEL 2005-3TL (x4)	\$15.00
F	P2005-3X-F(MAKE MODEL)	Pocket Insert Plate for STAKE POCKET RACK MODEL 2005-3TL (x4)	\$10.00
G	P2005-3L-G	Female Side Bar for STAKE POCKET RACK MODEL 2005-3TL (x2)	\$30.00
H	P2005-3L-H	Male Side Bar for STAKE POCKET RACK MODEL 2005-3TL (x2)	\$25.00
-	(available locally)	3/8-16 x 1.75" carriage bolt (x4)	-
-	(available locally)	3/8-16 Nylon Lock-nut (x 16)	-
-	(available locally)	3/8-16 Hex Flange Nut (x 10)	-
-	(available locally)	3/8 x 7/8" OD SS Metal Washer (x 12)	-
-	(available locally)	2.5 inch Button-head Cap-screw (x 8)	-
-	(available locally)	3/8 inch Nylon Washer (x 20);	-
-	(available locally)	3/8-16 x 1" Button-head Cap-screw (x10)	-
-	(available locally)	3/8-16 x 1.75" Button Head Cap-Screw (x 4)	-
-	(available locally)	Allen wrench for 3/8-16 Hex Cap Screw	-



To place an order for parts, please call 1.888.877.2257